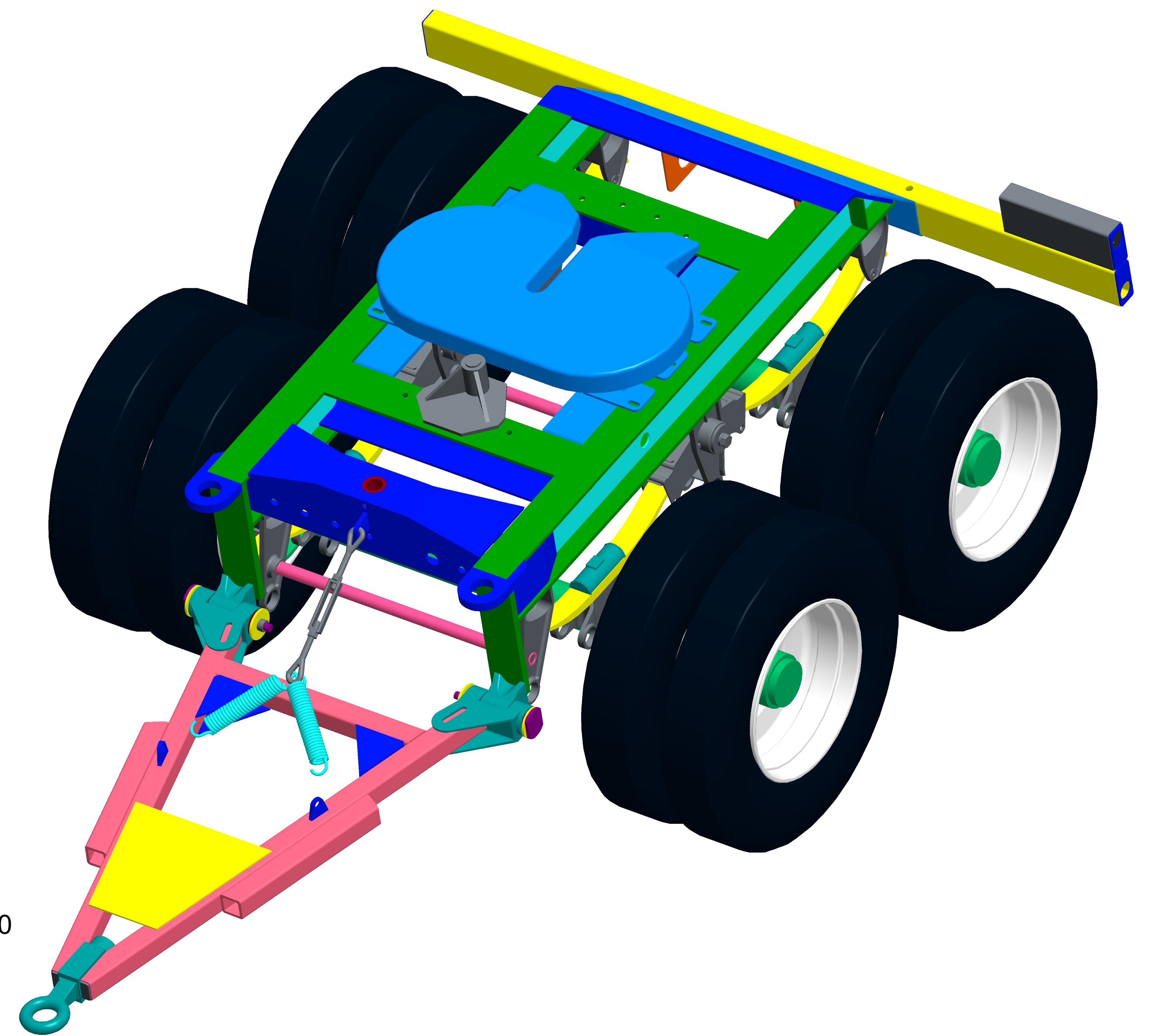


SCALE 0.120



SCALE 0.120

THE INFORMATION HEREON IS THE PROPERTY OF
 BENLEE INC. AND/OR ITS SUBSIDIARIES, AND IS
 LOANED TO THE RECIPIENT SUBJECT TO RETURN
 UPON DEMAND. ITS CONTENTS ARE CONFIDENTIAL
 AND MUST NOT BE SUBMITTED TO OUTSIDE PARTIES
 FOR USE OR EXAMINATION WITHOUT THE WRITTEN
 PERMISSION OF BENLEE ENGINEERING.

BENLEE
 30383 ECORSE ROAD
 ROMULUS, MI 48174
 1-313-722-8100

DESC. TACONVD

SIZE	DATE	DWG NO.	REV
E			A

DRAWN BY DESIGNED BY